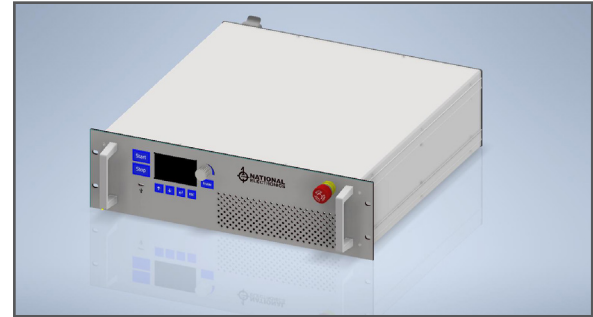
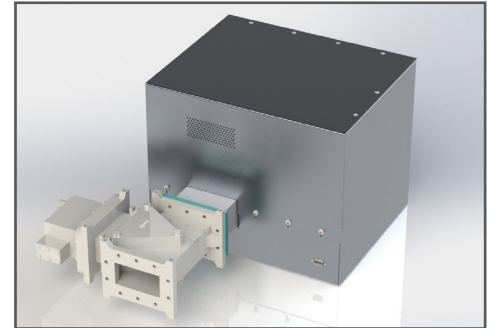


Richardson Electronics newest line of microwave generators has been designed for industrial heating applications and plasma generation. The generator is based on a new, reliable and high-performance switch-mode power supply. A dc filament supply allows the magnetron to generate a clean output spectrum throughout the power band. Multiple control options including manual, remote analog and remote digital offer a user-friendly interface.



## Features and Benefits

- Modern switch-mode circuit topology
- Configurable control options
- Isolated dc filament supply for magnetron
- Extremely low-ripple for best spectral output
- Long magnetron life
- Reliable & cost-effective



## Applications

### Industrial Heating:

- Drying of food and materials
- Heating of food and materials
- Vulcanization & Polymerization

### Plasma:

- CVD and PECVD for diamond growth
- Surface treatment
- Thin film deposition
- Gas abatement and gasification

## Specifications

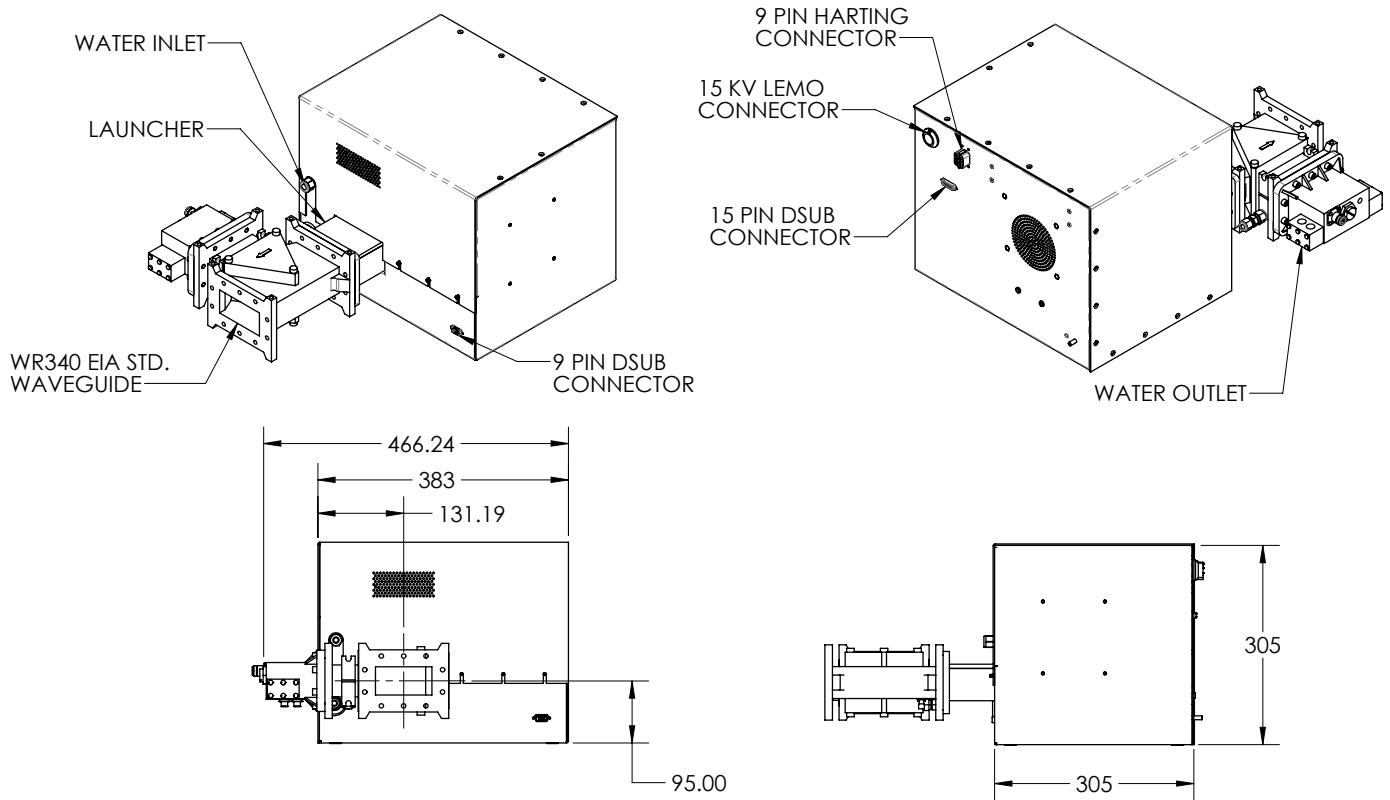
Power Output:	300-3000W
Frequency:	2.45GHz $\pm$ 15GHz
Power Regulation:	10-100%
Ripple:	<3% of output power
Microwave Connections:	WR340 w/ CPR340 flange
Generator Control:	Manual; Remote Analog (plc) Remote: Digital RS485, Modbus, user defined (custom)
AC Power Input:	3x 400V/480V $\pm$ 10%
Power Supply:	PS6000x
Housing:	3U, 19" rack
Dimensions:	132.9mm(H) x 482.6mm(W) x 541.8mm(D)
Cooling:	Water ( $\geq$ 4 l/min); Air (200m <sup>3</sup> /hr)
Power Head:	MH6.0W
Housing:	Rolled steel (305mm(H) x 381mm(W) x 305mm (D)
Cooling:	Water: $\geq$ 4 l/min, max 5bar 20-30°C

Note: Specifications subject to change without notice.

**Options:**

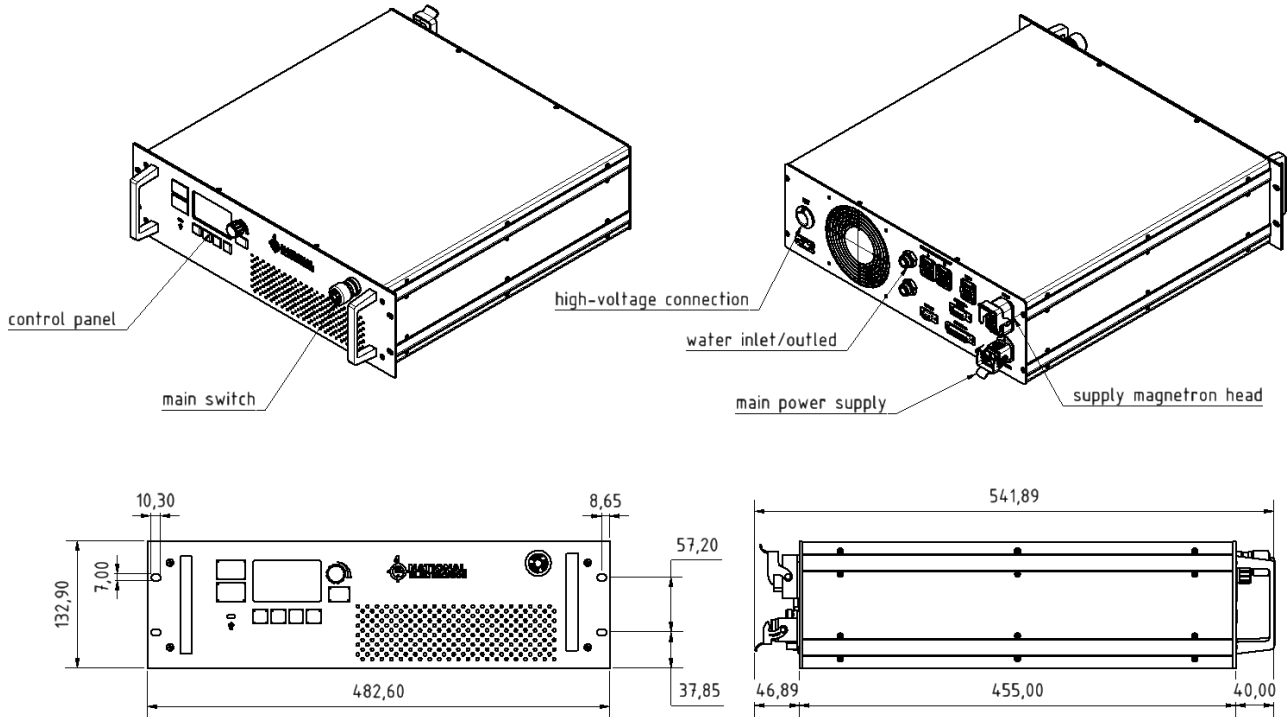
Power Measurement Unit

**Outline Drawing:**



Note: Unless otherwise noted, dimensions are nominal values in mm. Specifications subject to change without notice.

## Outline Drawing:



## Ordering Information:

Please contact your local Richardson Electronics sales office for price and availability information.

Note: Unless otherwise noted, dimensions are nominal values in mm. Specifications subject to change without notice.